

## Insieme Induction

Freestanding

Code: 7555 017

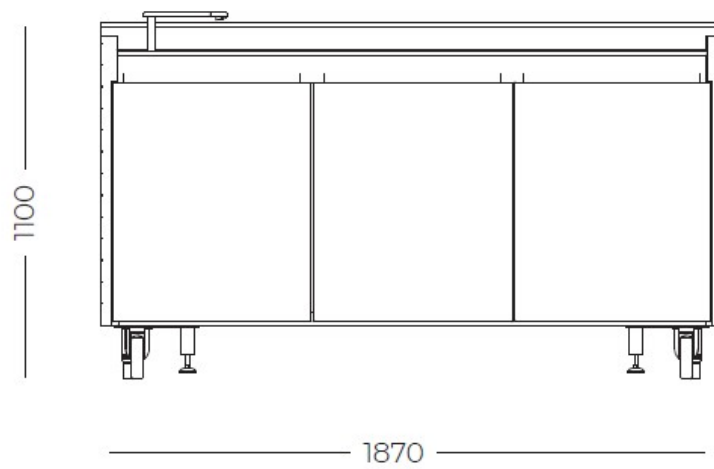


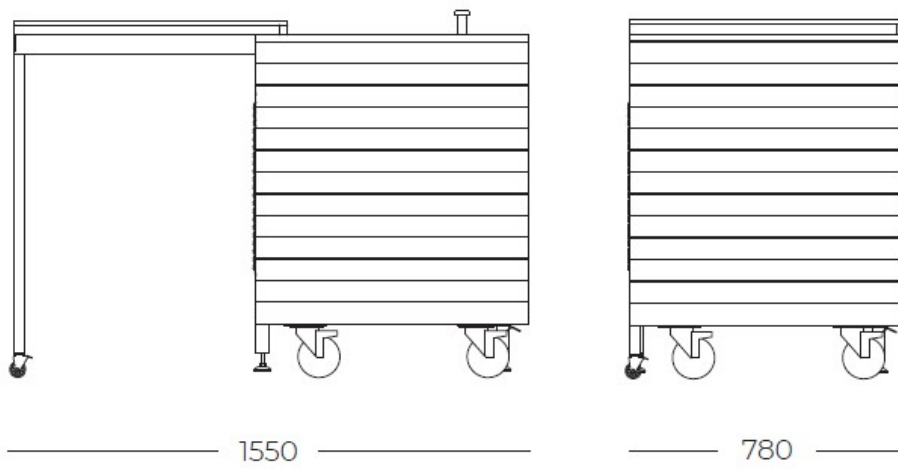
### DETAILS

Type	Induction Hob
Material	Stainless steel AISI 316 L with alveolar aluminum support
Framework	Carbon steel welded tubular structure with painting cycle for outdoor use Lid / sliding table in HPL with anti-closing system Retractable socket holder (230V 16A IP66) 4 wheels (2 with block) 4 adjustable feet for laying on the ground
Cover	HPL wood effect
Texture	Brushed in line
Dimensions (open)	187 x 155 x (h) 110 cm
Dimensions (closed)	187 x 78 x (h) 110 cm
Wheels	Yes

By request	Welded tubular structure in AISI 316L stainless steel
Foster integrated products	7330 241 - S4000 Induction Hob 3 zones in line max power 6.600 W - 230 V 50/60 Hz
Weight	280 kg
Rear features	Electric panel IP66 32A Single-phase wall plug 230V 32A IP66
Front door equipment	60l undercounter refrigerator (class C) Compartment with shelf in HPL / stainless steel Pull-out drawer with differentiated story with 4 compartments
Accessories supplied	Waterproof PVC sheet (650 g / m <sup>2</sup> )

## TECHNICAL DATA





## GALLERY

